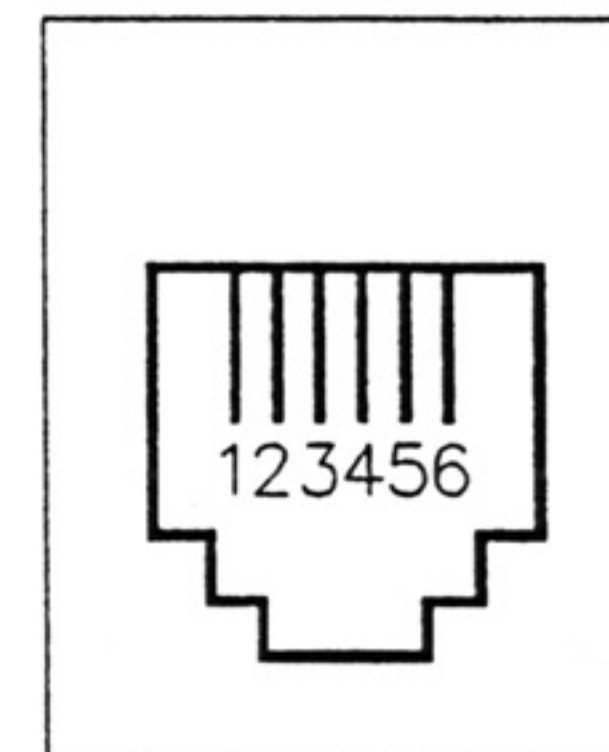


THUMBSCREW: 4-40 THREAD



- 1 ----- WHITE
- 2 ----- BLACK
- 3 ----- RED
- 4 ----- GREEN
- 5 ----- YELLOW
- 6 ----- BLUE



NOTE: DIMENSIONS ARE IN INCHES AND SHOULD BE USED FOR REFERENCE ONLY

DESCRIPTION: MODULAR ADAPTOR, 6P6C TO DB-15 MALE

APRVD BY:

DWG. NO. D.S. 1124

REV.

DWG.BY: HAI NGUYEN

COLOR: BLACK

DATE: 03/11/93

MATERIAL: THERMOPLASTIC 94-V0

SCALE: 1

PART NO. : **AMK-0016**

SHEET 1 OF 1